



## Standard Test Methods for Determining the Inclusion Content of Steel<sup>1</sup>

This standard is issued under the fixed designation E 45; the number immediately following the designation indicates the year of original adoption or, in the case of revision, the year of last revision. A number in parentheses indicates the year of last reapproval. A superscript epsilon ( $\epsilon$ ) indicates an editorial change since the last revision or reapproval.

*This standard has been approved for use by agencies of the Department of Defense.*

### 1. Scope

1.1 These test methods cover a number of recognized procedures for determining the nonmetallic inclusion content of wrought steel. Macroscopic methods include macroetch, fracture, step-down, and magnetic particle tests. Microscopic methods include five generally accepted systems of examination. In these microscopic methods, inclusions are assigned to a category based on similarities in morphology, and not necessarily on their chemical identity. Metallographic techniques that allow simple differentiation between morphologically similar inclusions are briefly discussed. While the methods are primarily intended for rating inclusions, constituents such as carbides, nitrides, carbonitrides, borides, and intermetallic phases may be rated using some of the microscopic methods. In some cases, alloys other than steels may be rated using one or more of these methods; the methods will be described in terms of their use on steels.

1.2 This practice covers procedures to perform JK-type inclusion ratings using automatic image analysis in accordance with microscopic methods A and D.

1.3 Depending on the type of steel and the properties required, either a macroscopic or a microscopic method for determining the inclusion content, or combinations of the two methods, may be found most satisfactory.

1.4 These test methods deal only with recommended test methods and nothing in them should be construed as defining or establishing limits of acceptability for any grade of steel.

1.5 The values stated in SI units are to be regarded as the standard. Values in parentheses are conversions and are approximate.

1.6 *This standard does not purport to address all of the safety concerns, if any, associated with its use. It is the responsibility of the user of this standard to establish appropriate safety and health practices and determine the applicability of regulatory limitations prior to use.*

<sup>1</sup> These test methods are under the jurisdiction of ASTM Committee E04 on Metallography and is the direct responsibility of Subcommittee E04.09 on Inclusions.

Current edition approved Nov. 1, 2005. Published December 2005. Originally approved in 1942. Last previous edition approved in 2002 as E 45 – 97 (2002).

### 2. Referenced Documents

#### 2.1 ASTM Standards:<sup>2</sup>

D 96 Test Method for Water and Sediment in Crude Oil by Centrifuge Method (Field Procedure)

E 3 Guide for Preparation of Metallographic Specimens

E 7 Terminology Relating to Metallography

E 381 Method of Macroetch Testing Steel Bars, Billets, Blooms, and Forgings

E 709 Guide for Magnetic Particle Examination

E 768 Practice for Preparing and Evaluating Specimens for Automatic Inclusion Assessment of Steel

E 1245 Practice for Determining Inclusion or Second-Phase Constituent Content of Metals by Automatic Image Analysis

E 1444 Practice for Magnetic Particle Examination

E 1951 Guide for Calibrating Reticles and Light Microscope Magnifications

#### 2.2 SAE Standards:<sup>3</sup>

J422, Recommended Practice for Determination of Inclusions in Steel

#### 2.3 Aerospace Material Specifications:<sup>3</sup>

AMS 2300, Premium Aircraft-Quality Steel Cleanliness: Magnetic Particle Inspection Procedure

AMS 2301, Aircraft Quality Steel Cleanliness: Magnetic Particle Inspection Procedure

AMS 2303, Aircraft Quality Steel Cleanliness: Martensitic Corrosion-Resistant Steels Magnetic Particle Inspection Procedure

AMS 2304, Special Aircraft-Quality Steel Cleanliness: Magnetic Particle Inspection Procedure

#### 2.4 ISO Standards:<sup>4</sup>

ISO 3763, Wrought Steels—Macroscopic Methods for Assessing the Content of Nonmetallic Inclusions

<sup>2</sup> For referenced ASTM standards, visit the ASTM website, [www.astm.org](http://www.astm.org), or contact ASTM Customer Service at [service@astm.org](mailto:service@astm.org). For *Annual Book of ASTM Standards* volume information, refer to the standard's Document Summary page on the ASTM website.

<sup>3</sup> Available from Society of Automotive Engineers (SAE), 400 Commonwealth Dr., Warrendale, PA 15096-0001.

<sup>4</sup> Available from American National Standards Institute (ANSI), 25 W. 43rd St., 4th Floor, New York, NY 10036.

**ISO 4967**, Steel—Determination of Content of Nonmetallic Inclusions—Micrographic Methods Using Standard Diagrams

2.5 *ASTM Adjuncts*:

Inclusions in Steel Plates I-r and II<sup>5</sup>

Four Photomicrographs of Low Carbon Steel<sup>6</sup>

### 3. Terminology

#### 3.1 Definitions:

3.1.1 For definitions of terms used in this practice, see Terminology E 7.

3.1.2 Terminology E 7 includes the term *inclusion count*; since some methods of these test methods involve length measurements or conversions to numerical representations of lengths or counts, or both, the term *inclusion rating* is preferred.

#### 3.2 Definitions of Terms Specific to This Standard:

3.2.1 *aspect ratio*—the length-to-width ratio of a microstructural feature.

3.2.2 *discontinuous stringer*—three or more Type B or C inclusions aligned in a plane parallel to the hot working axis and offset by no more than 15  $\mu\text{m}$ , with a separation of less than 40  $\mu\text{m}$  (0.0016 in.) between any two nearest neighbor inclusions.

3.2.3 *inclusion types*—for definitions of sulfide-, alumina-, and silicate-type inclusions, see Terminology E 7. Globular oxide, in some methods refers to isolated, relatively nondeformed inclusions with an aspect ratio not in excess of 2:1. In other methods, oxides are divided into deformable and nondeformable types.

3.2.4 *JK inclusion rating*—a method of measuring nonmetallic inclusions based on the Swedish Jernkontoret procedures; Methods A and D of these test methods are the principal JK rating methods, and Method E also uses the JK rating charts.

3.2.5 *stringer*—an individual inclusion that is highly elongated in the deformation direction or three or more Type B or C inclusions aligned in a plane parallel to the hot working axis and offset by no more than 15  $\mu\text{m}$ , with a separation of less than 40  $\mu\text{m}$  (0.0016 in.) between any two nearest neighbor inclusions.

3.2.6 *threshold setting*—isolation of a range of gray level values exhibited by one constituent in the microscope field.

3.2.7 *worst-field rating*—a rating in which the specimen is rated for each type of inclusion by assigning the value for the highest severity rating observed of that inclusion type anywhere on the specimen surface.

### 4. Significance and Use

4.1 These test methods cover four macroscopic and five microscopic test methods (manual and image analysis) for describing the inclusion content of steel and procedures for expressing test results.

4.2 Inclusions are characterized by size, shape, concentration, and distribution rather than chemical composition. Although compositions are not identified, Microscopic methods

place inclusions into one of several composition-related categories (sulfides, oxides, and silicates—the last as a type of oxide). Paragraph 12.2.1 describes a metallographic technique to facilitate inclusion discrimination. Only those inclusions present at the test surface can be detected.

4.3 The macroscopic test methods evaluate larger surface areas than microscopic test methods and because examination is visual or at low magnifications, these methods are best suited for detecting larger inclusions. Macroscopic methods are not suitable for detecting inclusions smaller than about 0.40 mm ( $\frac{1}{64}$  in.) in length and the methods do not discriminate inclusions by type.

4.4 The microscopic test methods are employed to characterize inclusions that form as a result of deoxidation or due to limited solubility in solid steel (indigenous inclusions). These inclusions are characterized by morphological type, that is, by size, shape, concentration, and distribution, but not specifically by composition. The microscopic methods are not intended for assessing the content of exogenous inclusions (those from entrapped slag or refractories).

4.5 Because the inclusion population within a given lot of steel varies with position, the lot must be statistically sampled in order to assess its inclusion content. The degree of sampling must be adequate for the lot size and its specific characteristics. Materials with very low inclusion contents may be more accurately rated by automatic image analysis, which permits more precise microscopic ratings.

4.6 Results of macroscopic and microscopic test methods may be used to qualify material for shipment, but these test methods do not provide guidelines for acceptance or rejection purposes. Qualification criteria for assessing the data developed by these methods can be found in ASTM product standards or may be described by purchaser-producer agreements. By agreements between producer and purchaser, this practice may be modified to count only certain inclusion types and thicknesses, or only those inclusions above a certain severity level, or both. Also, by agreement, qualitative practices may be used where only the highest severity ratings for each inclusion type and thickness are defined or the number of fields containing these highest severity ratings are tabulated.

4.7 These test methods are intended for use on wrought metallic structures. While a minimum level of deformation is not specified, the test methods are not suitable for use on cast structures or on lightly worked structures.

4.8 Guidelines are provided to rate inclusions in steels treated with rare earth additions or calcium-bearing compounds. When such steels are evaluated, the test report should describe the nature of the inclusions rated according to each inclusion category (A, B, C, D).

4.9 In addition to the Practice E 45 JK ratings, basic (such as used in Practice E 1245) stereological measurements (for example, the volume fraction of sulfides and oxides, the number of sulfides or oxides per square millimeter, the spacing between inclusions, and so forth) may be separately determined and added to the test report, if desired for additional information. This practice, however, does not address the measurement of such parameters.

<sup>5</sup> Available from ASTM Headquarters. Order ADJE004502.

<sup>6</sup> Available from ASTM Headquarters. Order ADJE004501.

## MACROSCOPIC METHODS

### 5. Macroscopical Test Methods Overview

#### 5.1 Summary:

5.1.1 *Macro-etch Test*—The macro-etch test is used to indicate inclusion content and distribution, usually in the cross section or transverse to the direction of rolling or forging. In some instances, longitudinal sections are also examined. Tests are prepared by cutting and machining a section through the desired area and etching with a suitable reagent. A solution of one part hydrochloric acid and one part water at a temperature of 71 to 82°C (160 to 180°F) is widely used. As the name of this test implies, the etched surface is examined visually or at low magnification for inclusions. Details of this test are included in Method E 381. The nature of questionable indications should be verified by microscopic examination or other means of inspection.

5.1.1.1 Sulfides are revealed as pits when the standard etchant described in 5.1.1 is used.

5.1.1.2 Only large oxides are revealed by this test method.

5.1.2 *Fracture Test*—The fracture test is used to determine the presence and location of inclusions as shown on the fracture of hardened slices approximately 9 to 13 mm ( $\frac{3}{8}$  to  $\frac{1}{2}$  in.) thick. This test is used mostly for steels where it is possible to obtain a hardness of approximately 60 HRC and a fracture grain size of 7 or finer. Test specimens should not have excessive external indentations or notches that guide the fracture. It is desirable that fracture be in the longitudinal direction approximately across the center of the slice. The fractured surfaces are examined visually and at magnifications up to approximately ten diameters, and the length and distribution of inclusions is noted. Heat tinting, or blueing, will increase visibility of oxide stringers. ISO 3763 provides a chart method for fracture surface inclusion ratings. In some instances, indications as small as 0.40 mm ( $\frac{1}{64}$  in.) in length are recorded.

5.1.3 *Step-Down Method*—The step-down test method is used to determine the presence of inclusions on machined surfaces of rolled or forged steel. The test sample is machined to specified diameters below the surface and surveyed for inclusions under good illumination with the unaided eye or with low magnification. In some instances, test samples are machined to smaller diameters for further examination after the original diameters are inspected. This test is essentially used to determine the presence of inclusions 3 mm ( $\frac{1}{8}$  in.) in length and longer.

5.1.4 *Magnetic Particle Method*—The magnetic particle method is a variation of the step-down method for ferromagnetic materials in which the test sample is machined, magnetized, and magnetic powder is applied. Discontinuities as small as 0.40 mm ( $\frac{1}{64}$  in.) in length create magnetic leakage fields that attract the magnetic powder, thereby outlining the inclusion. See Practice E 1444 and Guide E 709 on magnetic particle examinations for more details of the procedure. Refer to Aerospace Materials Specifications AMS 2300, AMS 2301, AMS 2303, and AMS 2304.

#### 5.2 Advantages:

5.2.1 These test methods facilitate the examination of specimens with large surface areas. The larger inclusions in steel,

which are the main concern in most cases, are not uniformly distributed and the spaces between them are relatively large, so that the chances of revealing them are better when larger specimens are examined.

5.2.2 Specimens for macroscopic examination may be quickly prepared by machining and grinding. A highly polished surface is not necessary. The macroscopic methods are sufficiently sensitive to reveal the larger inclusions.

#### 5.3 Disadvantages:

5.3.1 These test methods do not distinguish among the different inclusion shapes.

5.3.2 They are not suitable for the detection of small globular inclusions or of chains of very fine elongated inclusions.

5.3.3 The magnetic particle method can lead to incorrect interpretation of microstructural features such as streaks of retained austenite, microsegregation, or carbides in certain alloys; this is particularly likely if high magnetization currents are employed.

## MICROSCOPIC METHODS

### 6. Microscopic Test Methods Overview

6.1 Microscopic methods are used to characterize the size, distribution, number, and type of inclusions on a polished specimen surface. This may be done by examining the specimen with a light microscope and reporting the types of inclusions encountered, accompanied by a few representative photomicrographs. This method, however, does not lend itself to a uniform reporting style. Therefore, standard reference charts depicting a series of typical inclusion configurations (size, type, and number) were created for direct comparison with the microscopic field of view. A method using image analysis to make these comparisons has also been developed.

6.2 Various reference charts of this nature have been devised such as the JK chart<sup>7</sup> and the SAE chart found in SAE Recommended Practice J422 of the SAE Handbook. The microscopic methods in Test Methods E 45 use refined comparison charts based on these charts. Method A (Worst Fields), Method D (Low Inclusion Content) and Method E (SAM Rating) use charts based on the JK chart while Method C (Oxides and Silicates) uses the SAE chart. ISO Standard 4967 also uses the JK chart.

6.3 No chart can represent all of the various types and forms of inclusions. The use of any chart is thus limited to determining the content of the most common types of inclusions, and it must be kept in mind that such a determination is not a complete metallographic study of inclusions.

6.4 An alternate to comparison (chart) methods such as Methods A, C and D<sup>8</sup> may be found in Method B. Method B (Length) is used to determine inclusion content based on length. Only inclusions 0.127 mm (0.005 in.) or longer are recorded regardless of their type. From this method one may

<sup>7</sup> The JK chart derives its name from its sponsors Jernkontoret, the Swedish Ironmasters Association.

<sup>8</sup> Note that while these methods are called comparison chart methods, the procedure used may also consist of length measurements or counts of inclusions, or both.



obtain data such as length of the longest inclusion and average inclusion length. In addition, photomicrographs may also be taken to characterize the *background inclusions* that were not long enough to measure.

6.5 The advantages of the microscopic methods are:

6.5.1 Inclusions can be characterized as to their size, type, and number.

6.5.2 Extremely small inclusions can be revealed.

6.6 A disadvantage of the microscopic methods is that individual rating fields are very small (0.50 mm<sup>2</sup>). This limits the practical size of the specimen, as it would simply take a prohibitive number of fields to characterize a large specimen. The result obtained by a microscopic characterization of the inclusions in a large section is governed by chance if local variations in the inclusion distribution are substantial. The end use of the product determines the importance of the microscopic results. Experience in interpreting these results is necessary in order not to exaggerate the importance of small inclusions in some applications.

6.7 In determining the inclusion content, it is important to realize that, whatever method is used, the result actually applies only to the areas of the specimens that were examined. For practical reasons, such specimens are relatively small compared with the total amount of steel represented by them. For the inclusion determination to have any value, adequate sampling is just as necessary as a proper method of testing.

6.8 Steel often differs in inclusion content not only from heat to heat, but also from ingot to ingot in the same heat and even in different portions of the same ingot. It is essential that the unit lot of steel, the inclusion content of which is to be determined, shall not be larger than one heat. Sufficient samples should be selected to represent the lot adequately. The exact sampling procedure should be incorporated in the individual product requirements or specifications. For semifinished products, the specimens should be selected after the material has been sufficiently cropped and suitable discards made. If the locations of the different ingots and portions of ingots in the heat cannot be identified in the lot being tested, random sampling should involve a greater number of test specimens for an equivalent weight of steel. A value for the inclusion content of an isolated piece of steel, even if accurately determined, should not be expected to represent the inclusion content of the whole heat.

6.9 The size and shape of the wrought steel product tested has a marked influence on the size and shape of the inclusions. During reduction from the cast shape by rolling or forging, the inclusions are elongated and broken up according to the degree of reduction of the steel cross section. In reporting results of inclusion determinations, therefore, the size, shape, and method of manufacture of the steel from which the specimens were cut must be stated. In comparing the inclusion content of different steels, they must all be rolled or forged as nearly as possible to the same size and shape, and from cast sections of about the same size. Specimens cut lengthwise or parallel to the direction of rolling or forging shall be used.

6.10 It may be convenient, in order to obtain more readily comparable results, to forge coupons from larger billets. These forged sections may then be sampled in the same way as rolled

sections. Exercise care, however, to crop specimens of sufficient length from the billets for forging; otherwise, there is danger of the shear-dragged ends being incorporated in the specimens. Such distorted material will give a false result in the inclusion determination. To avoid this, it is helpful to saw the ends of the billet length for forging and to take the specimen from the middle of the forged length.

6.11 Several of the methods described in these test methods require that a specific area of the prepared surface of the specimen is surveyed, and all the significant inclusions observed be recorded and expressed in the results. The reported result for each specimen examined is, therefore, a more accurate representation of the inclusion content than a photomicrograph or diagram. A disadvantage of the Worst Field approach is that no such distribution of inclusion ratings is obtained.

6.12 To make comparisons possible between different heats and different parts of heats, the results shall be expressed in such a manner that an average for the inclusion content of the different specimens in the heat can be obtained. When the lengths of the inclusions are measured, the simplest number is that for the aggregate length of all the inclusions per area examined; however, it may be desirable not merely to add the lengths but also to weight the inclusions according to their individual lengths. The length of the largest inclusion found and the total number of inclusions may also be expressed.

## 7. Sampling

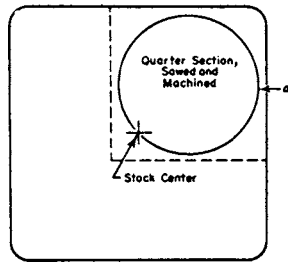
7.1 To obtain a reasonable estimate of inclusion variations within a lot, at least six locations, chosen to be as representative of the lot as possible, should be examined. In this context, a lot shall be defined as a unit of material processed at one time and subjected to similar processing variables. In no case should more than one heat be in the same lot. For example if a lot consists of one heat, sampling locations might be in the product obtained from the top and bottom of the first, middle, and last usable ingots in the pouring sequence. For strand cast or bottom pour processing, a similar sampling plan per heat should be invoked.

7.2 For cases in which a definite location within a heat, ingot, or other unit lot is unknown, statistical random sampling with a greater number of specimens should be employed.

7.3 Ratings obtained will vary with the amount of reduction of the product. For materials acceptance or for comparison among heats, care must be taken to sample at the correct stage of processing.

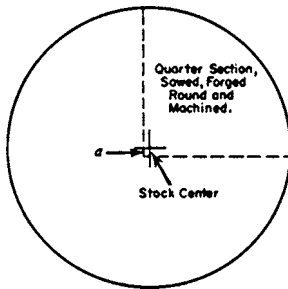
## 8. Test Specimen Geometry

8.1 The minimum polished surface area of a specimen for the microscopic determination of inclusion content is 160 mm<sup>2</sup> (0.25 in.<sup>2</sup>). It is recommended that a significantly large area should be obtained so that the measurements may be made within the defined area away from the edges of the sample. The polished surface must be parallel to the longitudinal axis of the product. In addition, for flat-rolled products, the section shall also be perpendicular to the rolling plane; for rounds and tubular shapes, the section shall be in the radial direction. In all cases, the polished surface shall be parallel to the hot-working



NOTE 1—This method is also applicable to round sections.  
NOTE 2—*a* denotes surface removal.

**FIG. 1 Quarter Section Specimen from Square Section for Magnetic Particle Test, Machine Only**



NOTE 1—Method also applicable to square sections.  
NOTE 2—*a* denotes distance equal to surface removal.

**FIG. 2 Quarter Section Specimen from Round Section for Magnetic Particle Test, Forging and Machining**

axis. Studies have demonstrated that inclusion length measurements are significantly affected if the plane of polish is angled more than 6° from the longitudinal hot-working direction.<sup>9</sup>

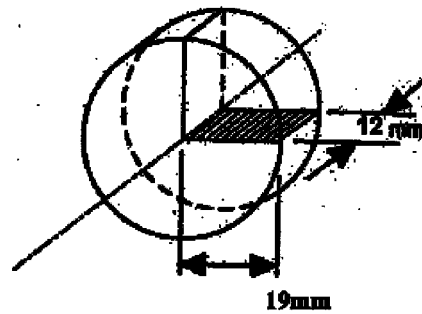
8.1.1 Sections less than 0.71 mm in thickness shall not be analyzed using Test Methods E 45.

8.2 *Thick Section (Product Section Size Greater than 9.5 mm (0.375 in.) Thick, Such as Forgings, Billet, Bar, Slab, Plate, and Pipe):*

8.2.1 For wide products, the one-quarter point along the product width is commonly used to provide representative material.

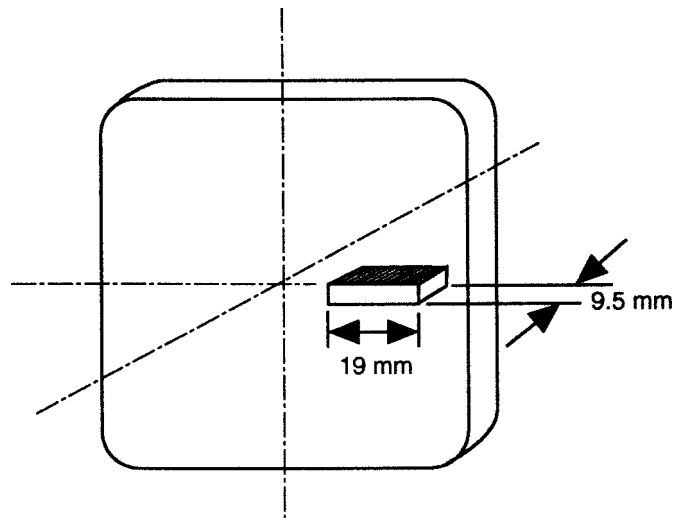
8.2.2 For round sections, the manner of cutting a specimen from a 38 mm (1.5-in.) diameter section is shown in Fig. 3. A disk at least 12 mm (0.474 in.) thick is cut from the product. The quarter-section indicated in Fig. 3 is cut from the disk and the shaded area is polished. Thus the specimen extends at least 12 mm along the length of the product from the outside to the center.

8.2.3 For large sections, each specimen shall be taken from the mid-radius location, as shown by the shaded area in Fig. 4. The specimen face to be polished extends at least 12 mm parallel to the longitudinal axis of the billet and at least 19 mm (0.75 in.) in the longitudinal radial plane, with the polished face midway between the center and the outside of the billet. Such midway sampling is used to decrease the number of



NOTE 1—Inch-pound equivalents: 12 mm = 0.47 in.; 19 mm = 0.75 in.

**FIG. 3 Specimen from 1½-in. (38.1 mm) Round Section for Microscopic Test**



**FIG. 4 Specimen from Large Bar or Billet for Microscopic Test**

specimens polished and examined. Other areas, such as the center and the surface, may be examined as well, provided the sampling procedure used is stated in the results. A billet or bar about 50 to 100 mm (2 to 4 in.) round or square is the preferred size from which specimens should be taken; however, larger or smaller sizes may be used, provided the product sizes are reported with the results.

8.3 *Thin Sections (Product Section Sizes 9.5 mm (0.375 in.) Thick or Less; Strip, Sheet, Rod, Wire, and Tubing)*—Full cross section longitudinal specimens shall be cut in accordance with the following plan:

8.3.1 For 0.95 to 9.5-mm (0.0375 to 0.375 in.) cross section thicknesses inclusively, a sufficient number of pieces from the same sampling point are mounted to provide approximately 160 mm<sup>2</sup> (0.25 in.<sup>2</sup>) of polished specimen surface. (Example: For a sheet 1.27 mm (0.050 in.) thick, select seven or eight longitudinal pieces uniformly across the sheet width to provide one specimen).

8.3.2 For cross section thicknesses less than 0.95 mm, ten longitudinal pieces from each sampling location shall be mounted to provide a suitable specimen surface for polishing.

<sup>9</sup> Allmand, T. R., and Coleman, D. S., "The Effect of Sectioning Errors on Microscopic Determinations of Non-Metallic Inclusions in Steels," *Metals and Materials*, Vol 7, 1973, pp. 280-283.

(Dependent on material thickness and piece length, the polished specimen area may be less than 160 mm<sup>2</sup>. Because of practical difficulties in mounting a group of more than ten pieces, the reduced specimen area will be considered sufficient.) Note that when using the comparison procedures of Methods A, C, D and E, the thickness of the test specimen cross section should not be less than the defined minimum dimension of a single field of view. Therefore, the minimum thickness required is 0.71 mm for Methods A, D, and E, and 0.79 mm for Method C. Thinner sections should be rated by other means.

## 9. Preparation of Specimens

9.1 Methods of specimen preparation must be such that a polished, microscopically flat section is achieved in order that the sizes and shapes of inclusions are accurately shown. To obtain satisfactory and consistent inclusion ratings, the specimen must have a polished surface free of artifacts such as pitting, foreign material (for example, polishing media), and scratches. When polishing the specimen it is very important that the inclusions not be pitted, dragged, or obscured. Specimens must be examined in the as-polished condition, free from the effects of any prior etching (if used).

9.2 Metallographic specimen preparation must be carefully controlled to produce acceptable quality surfaces for both manual and image analysis. Guidelines and recommendations are given in Practice E 3, Test Methods E 45, and Practice E 768.

9.3 Inclusion retention is generally easier to accomplish in hardened steel specimens than in the annealed condition. If inclusion retention is inadequate in annealed specimens, they should be subjected to a standard heat treatment cycle using a relatively low tempering temperature. After heat treatment, the specimen must be descaled and the longitudinal plane must be reground below any decarburization. This recommendation only applies to heat-treatable steel grades.

9.4 Mounting of specimens is not required if unmounted specimens can be properly polished.

## 10. Calibration and Standardization

10.1 Recommended calibration guidelines can be found in Guide E 1951.

10.2 For image analysis, a stage micrometer and a ruler, both calibrated against devices traceable to a recognized national standards laboratory, such as the National Institute for Standards and Technology (NIST), are used to determine the magnification of the system and calibrate the system in accordance with the manufacturer's recommended procedure. For example, the ruler is superimposed over the magnified image of the stage micrometer on the monitor. The apparent (magnified) distance between two known points on the stage micrometer is measured with the ruler. The magnified distance is divided by the true distance to determine the screen magnification. The pixel dimensions can be determined from the number of pixels for a known horizontal or vertical dimension on the monitor. Divide the known length of a scale or mask by the number of pixels representing that length on the monitor to determine the pixel size for each possible screen magnification. Not all systems use square pixels. Determine the

pixel dimensions in both horizontal and vertical orientations. Check the instruction manual to determine how corrections are made for those systems that do not use square pixels.

10.2.1 Follow the manufacturer's recommendations in adjusting the microscope light source and setting the correct level of illumination for the television video camera. For systems with 256 gray levels, the illumination is generally adjusted until the as-polished matrix surface is at level 254 and black is at zero.

10.2.2 For modern image analyzers with 256 gray levels, with the illumination set as described in 10.2.1, it is usually possible to determine the reflectance histogram of individual inclusions as an aid in establishing proper threshold settings to discriminate between oxides and sulfides. Oxides are darker and usually exhibit gray levels below about 130 on the gray scale while the lighter sulfides generally exhibit values between about 130 and 195. These numbers are not absolute and will vary somewhat for different steels and different image analyzers. After setting the threshold limits to discriminate oxides and sulfides, use the *flicker method* of switching back-and-forth between the live inclusion image and the detected (discriminated) image, over a number of test fields, to ensure that the settings are correct, that is, detection of sulfides or oxides by type and size is correct.

## 11. Classification of Inclusions and Calculation of Severities

11.1 In these microscopic methods, inclusions are classified into four categories (called Type) based on their morphology and two subcategories based on their width or diameter. Categories A-Sulfide Type, B-Alumina Type, C-Silicate Type and D-Globular Oxide Type define their shape while categories Heavy and Thin describe their thickness. Although the categories contain chemical names that imply knowledge of their chemical content, the ratings are based strictly on morphology. The chemical names associated with the various Types were derived from historical data collected on inclusions found in these shapes or morphologies. The four categories, or Types, are partitioned into Severity Levels based on the number or length of the particles present in a 0.50 mm<sup>2</sup> field of view. These Severity Levels and inclusion Types are depicted in Plate I-r and their numerical equivalents are found in Tables 1 and 2.

11.1.1 Type A and C inclusions are very similar in size and shape. Therefore, discrimination between these Types is aided by metallographic techniques. Type A-Sulfide are light gray while Type C-Silicate are black when viewed under brightfield illumination. Discrimination between these types may also be aided by viewing the questionable inclusions under darkfield or cross-polarized illumination where properly polished sulfide inclusions are dark and silicate inclusions appear luminescent.

11.2 The B-type stringers consist of a number (at least three) of round or angular oxide particles with aspect ratios less than 2 that are aligned nearly parallel to the deformation axis. Particles within  $\pm 15 \mu\text{m}$  of the centerline of a B-type stringer are considered to be part of that stringer. The Type C-Silicate stringers consist of one or more highly elongated oxides with smooth surfaces aligned parallel to the deformation axis. Aspect ratios are generally high,  $\geq 2$ . The maximum permitted

**TABLE 1 Minimum Values for Severity Level Numbers (Methods A, D, and E)<sup>A,B</sup>**

(mm (in.) at 100×, or count)				
Severity	A	B	C	D <sup>C</sup>
0.5	3.7(0.15)	1.7(0.07)	1.8(0.07)	1
1.0	12.7(0.50)	7.7(0.30)	7.6(0.30)	4
1.5	26.1(1.03)	18.4(0.72)	17.6(0.69)	9
2.0	43.6(1.72)	34.3(1.35)	32.0(1.26)	16
2.5	64.9(2.56)	55.5(2.19)	51.0(2.01)	25
3.0	89.8(3.54)	82.2(3.24)	74.6(2.94)	36
3.5	118.1(4.65)	114.7(4.52)	102.9(4.05)	49
4.0	149.8(5.90)	153.0(6.02)	135.9(5.35)	64
4.5	189.8(7.47)	197.3(7.77)	173.7(6.84)	81
5.0	223.0(8.78)	247.6(9.75)	216.3(8.52)	100
(µm (in.) at 1×, or count)				
Severity	A	B	C	D <sup>C</sup>
0.5	37.0(.002)	17.2(.0007)	17.8(.0007)	1
1.0	127.0(.005)	76.8(.003)	75.6(.003)	4
1.5	261.0(.010)	184.2(.007)	176.0(.007)	9
2.0	436.1(.017)	342.7(.014)	320.5(.013)	16
2.5	649.0(.026)	554.7(.022)	510.3(.020)	25
3.0	898.0(.035)	822.2(.032)	746.1(.029)	36
3.5	1181.0(.047)	1147.0(.045)	1029.0(.041)	49
4.0	1498.0(.059)	1530.0(.060)	1359.0(.054)	64
4.5	1898.0(.075)	1973.0(.078)	1737.0(.068)	81
5.0	2230.0(.088)	2476.0(.098)	2163.0(.085)	100
(mm/mm <sup>2</sup> (in./in. <sup>2</sup> ), or count/mm <sup>2</sup> )				
Severity	A	B	C	D <sup>C</sup>
0.5	0.074(1.88)	0.034(.864)	0.036(.914)	2
1.0	0.254(6.45)	0.154(3.91)	0.152(3.86)	8
1.5	0.522(3.64)	0.368(9.35)	0.352(8.94)	18
2.0	0.872(22.15)	0.686(17.32)	0.640(16.26)	32
2.5	1.298(32.97)	1.110(28.19)	1.020(25.91)	50
3.0	1.796(45.59)	1.644(41.76)	1.492(37.90)	72
3.5	2.362(59.99)	2.294(58.27)	2.058(52.27)	98
4.0	2.996(76.10)	3.060(77.7272)	2.718(69.04)	128
4.5	3.796(96.42)	3.946(100.2)	3.474(88.24)	162
5.0	4.460(113.3)	4.952(125.8)	4.326(109.9)	200

<sup>A</sup> Note that length values in this table have been changed to be compatible with automated rating methods. The significant length changes occurred at minimum rating levels of ½ where manual methods are least accurate. Inclusion counts for Type D inclusions have also been revised. In this case, the changes are greatest for high counts, which are above the levels of material acceptance standards.

<sup>B</sup> VanderVoort, G. F., and Wilson, R. K., "Nonmetallic Inclusions and ASTM Committee E04," *Standardization News*, Vol 19, May 1991, pp 28–37.

<sup>C</sup> Maximum aspect ratio for Type D inclusions is 5:1.

**TABLE 2 Inclusion Width and Diameter Parameters (Methods A and D)<sup>A</sup>**

Inclusion Type	Thin Series		Heavy Series	
	Width, min, µm	Width, max, µm	Width, min, µm	Width, max, µm
A	2 (.00008)	4 (.00016)	>4 (.00016)	12 (.0005)
B	2 (.00008)	9 (.00035)	>9 (.00035)	15 (.0006)
C	2 (.00008)	5 (.0002)	>5 (.0002)	12 (.0005)
D	2 (.00008)	8 (.0003)	>8 (.0003)	13 (.0005)

<sup>A</sup> Any inclusion with maximum dimensions greater than the maximum for the Heavy Series must be reported as *oversized* accompanied with its actual dimensions.

separation between particles in a stringer is 40 µm. Any oxides that have aspect ratios < 2, and are not part of a B- or C-type stringer, are rated as D-types. No other shape restriction is applicable.

11.3 After the inclusions are categorized by Type, they must be categorized by thickness or diameter. Inclusion width parameters for classification into the Thin or Heavy category

are listed in Table 2. An inclusion whose width varies from Thin to Heavy along its length shall be placed in the category that best represents its whole. That is to say, if more of its length falls into the Heavy range, classify it as Heavy. See 11.8 for instructions on reporting inclusions that exceed the limits of Table 1 or Table 2.

11.4 Inclusions thinner than the 2 µm minimum listed in Table 2 are not rated. That is, their lengths or numbers are not included in the determination of Severity.

11.5 After classification by type and thickness, the severity levels are determined for the inclusions within 0.50 mm<sup>2</sup> test areas based upon the total Type A sulfide lengths per field, the total Type B or C stringer lengths per field, and the number of isolated D-type inclusions per field. These values can be reported according to the length or number in each 0.50-mm<sup>2</sup> field or as the length per unit area or number per unit area (mm<sup>2</sup>), but the measurements must be made on contiguous 0.50 mm<sup>2</sup> test areas. Severities are calculated based on the limits given in Table 1. Note that these values are the minimum length or number for each class. In general, severity values (calculated as described below) are rounded downward to the nearest whole or half unit. For steels with particularly low inclusion contents, severity values may be rounded down to the nearest quarter or tenth value, per agreement between producer and purchaser. However, because of the way D inclusion counts are defined (for 1 inclusion, the severity is 0.5 and for 0 inclusions, the severity is 0), there can be no subdivisions between 0 and 0.5 severities.

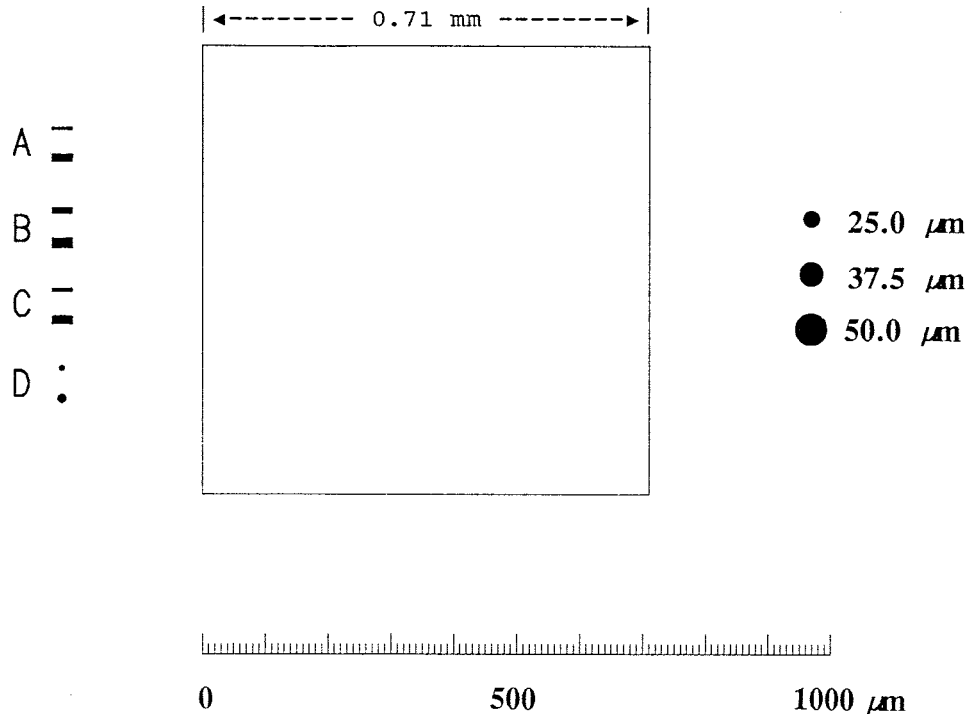
11.6 Calculation of the severity number for Type A, B, and C inclusions is based on a log-log plot of the data in Table 1 on Minimum Values for Inclusion Rating Numbers (Methods A and D). Such plots<sup>10</sup> reveal a linear relationship between the severity numbers and the minimum total sulfide length (Type A) and the minimum total stringer length (Types B & C) per 0.50-mm<sup>2</sup> field for each severity level as shown in Figs. 10-12. A least-square fit to the data in Table 1 has been used to produce the relationships in Table 6, which can be used to calculate the severity of Type A, B, and C inclusions, either thin or thick. The antilog is determined and rounded downward to the nearest half-severity value.

11.7 Calculation of the severity numbers for D-type oxides is done in the same manner as for Types A, B, and C inclusions except that the criterion is the number of oxides rather than their length. Fig. 13 shows a log-log plot of the data in Table 1.

11.8 The fields shown in Plate I-r represent the total lengths of the A inclusions, the total stringer lengths of B and C inclusions, the number of D inclusions, and their respective limiting widths or diameters. If any inclusions are present that are longer than the fields shown in Plate I-r, their lengths shall be recorded separately. If their widths or diameters are greater than the limiting values shown in Plate I-r and Table 2, they shall be recorded separately. Note that an oversized A, B, or C

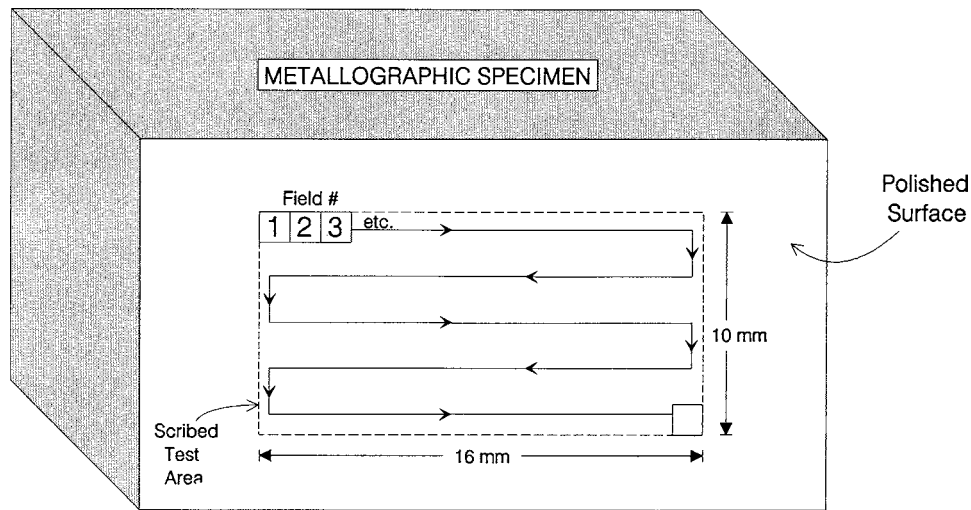
<sup>10</sup> Vander Voort, G. F., and Golden, J. F., "Automating the JK Inclusion Analysis," *Microstructural Science*, Vol 10, Elsevier Science Publishing Co., Inc., NY, 1982, pp. 277–290.





NOTE 1—The square mask will yield a field area of 0.50 mm<sup>2</sup> on the specimen surface. A graphic representation of the maximum thickness of the Thin and Heavy series of Types A, B, C, and D is on the left. Several oversized Type D are depicted on the right for convenience.

FIG. 5 Suggested Reticle or Overlay Grid For Methods A, D, and E



NOTE 1—Systematically scan the entire masked area. Methods A, B, C, and E permit adjustment of the field locations in order to maximize a severity level number or facilitate a measurement. For Method D, the fields must remain contiguous and only features within the field are compared to Plate I-r.

NOTE 2—Method D will require a larger (10 × 17 mm) test area to facilitate placement of enough contiguous, 0.71 mm square fields to total 160 mm<sup>2</sup> of polished surface area.

FIG. 6 Typical Scan Pattern for Microscopic Methods

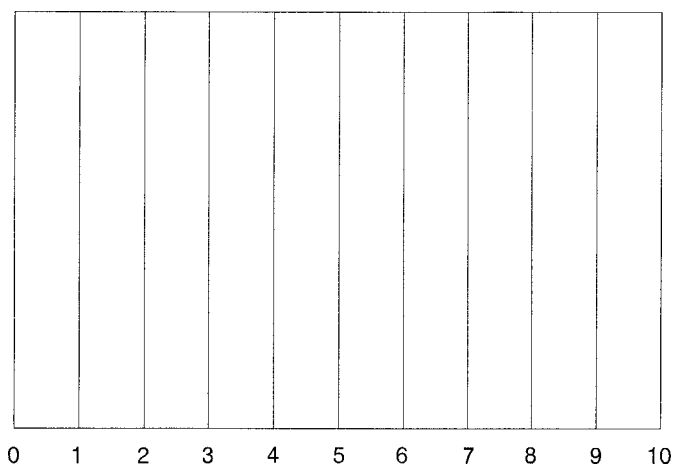
inclusion or inclusion stringer still contributes to the determination of a field's Severity Level Number. Therefore, if an A, B, or C inclusion is oversized either in length or thickness that portion that is within the field boundaries shall be included in the appropriate Thin or Heavy severity level measurement. Likewise, if an oversized D inclusion is encountered in a field, it is also included in the count that determines the D heavy rating. For reference, illustrations of large, globular oxides

appear at the bottom of Plate I-r. A Type D globular oxide may not exceed an aspect ratio of 2:1.

11.9 Oxides located at the tips of Type A-Sulfide inclusions are rated at Type D- Globular Oxides unless they are close enough together to meet the requirements of a Type B-Alumina.

11.10 The indigenous inclusions in steels deoxidized with rare earth elements or calcium-containing materials are also





NOTE 1—One unit equals 0.127 mm (0.005 in.) on the specimen surface.

FIG. 7 Suggested Reticle or Overlay Grid for Method B

classified by morphology and thickness with the added requirement that compositional information be given in the report. For example, rare earth or calcium-modified sulfides with an aspect ratio  $\geq 2$  are rated as A-types by their total length per field according to the limits of Table 1 and the width limits of Table 2. However, for aspect ratios  $< 2$  and if they are not part of a stringer, they are rated as D-types by their number per field according to the number limits of Table 1 and the width limits of Table 2. In both cases, a general description of their composition must be provided to avoid confusion. Because they are sulfides with a D-type morphology, they may be referred to as  $D_s$ .

11.11 Complex inclusions, such as oxysulfides or duplex inclusions, are also rated according to their morphology: whether they are stringered or elongated (for aspect ratios  $\geq 2$ ) or isolated (not part of a stringer and aspect ratio  $< 2$ ); and then by thickness. Isolated, globular particles are rated as D-types by their average thickness. Complex  $D_s$  may be predominantly ( $>50\%$  by area) sulfides or oxides and should be identified as such. For example, if the oxide area is greater in a globular oxysulfide, it could be called a  $D_{OS}$  type. Stringered complex particles are rated by the aspect ratio of the individual particles; if  $< 2$ , they are B-types, if  $\geq 2$  they are A- or C-types (separate by gray level). For those complex inclusions with aspect ratios  $\geq 2$ , they are classified as A-types if more than 50% of the area is sulfide and C-types if more than 50% of the area is oxide. Report the composition, in general terms, to avoid confusion, and state the nature of the inclusions, for example, “globular calcium aluminates encapsulated with a thin film of calcium-manganese sulfide,” or “irregular aluminates partially or fully embedded in manganese sulfide stringers.”

11.12 If producer-purchaser agreements limit the analysis to only certain inclusion types, thickness categories, or severity limits, the scheme in Section 11 can be modified to analyze, measure, and store only the data of interest. It may also contain procedures to perform basic (see Practice E 1245) stereological measurements to supplement the JK analyses. Such measurements are not covered by this practice.

## 12. Method A (Worst Fields)<sup>11</sup>

12.1 *Manual Introduction*—This test method requires a survey of a 160 mm<sup>2</sup> (0.25 in.<sup>2</sup>) polished surface area of the specimen at 100 $\times$ . The field size shall equal an area equivalent to 0.50 mm<sup>2</sup> (0.000779 in.<sup>2</sup>) on the specimen surface as defined by a square with 0.71 mm (0.02791 in.) long sides (see Fig. 5). Each 0.50 mm<sup>2</sup> field is compared to the square fields depicted in Plate I-r in a search for the worst field, that is, the highest severity rating, of each inclusion Type A, B, C, and D for both the *Thin* and *Heavy* series. The severity level of these worst fields shall be reported for every specimen examined.

### 12.2 Manual Procedure:

12.2.1 Either of two techniques may be employed to achieve a 0.50 mm<sup>2</sup> field of view. One method is to project the 100 $\times$  microscope image onto a viewing screen that has a square mask with 71.0 mm (2.79 in.) sides drawn on it. Another option is to use a reticle made for the microscope, which will superimpose the required square mask directly onto the field of view (see Fig. 5).

12.2.2 To begin, outline the required test area on the specimen surface using either an indelible marker or a carbide-tipped scribe. Place the specimen on the microscope stage and start the examination with a field in one of the corners of the marked test area. Compare this field to the images on Plate I-r. Classify the inclusion content of the field based on the rules listed in Section 11 concerning Type, and thickness of inclusions present. Record the severity level in whole numbers from 0 to 3.0 for each inclusion type (A, B, C, and D) that most resembles the field under observation. (See Table 1 if required to report severity levels  $> 3.0$ ). Do this for both the *Thin* and *Heavy* series. It is important to note here that if a field of inclusions falls between two severity levels, its value is rounded down to the lower severity level. For example, when using Plate I-r, a field that contains fewer inclusions, or less inclusion length than Severity Level Number 1, is counted as a 0.

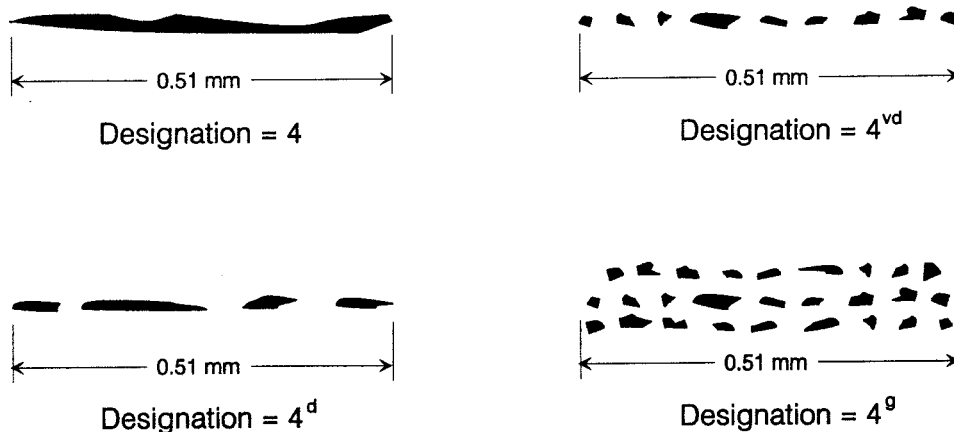
12.2.3 Move the microscope stage to reveal an adjacent field and repeat the comparison procedure. Continue this process until the required polished surface area of the specimen has been scanned. A typical scan configuration is shown in Fig. 6. This method requires adjustment of the microscope stage to maximize an inclusion severity level. That is, the field of view is adjusted using the microscope stage controls, such that inclusions are moved inside the square mask in order to locate the *worst field*. In practice, the rater is actually scanning the specimen and stopping only when a potential *worst field* of each type and thickness is in view.

### 12.3 Manual Expression of Results:

12.3.1 The averages of the worst fields for each inclusion type in all the specimens of the lot shall be calculated in accordance with the Severity Level Numbers given at the sides of Plate I-r or Table 1. An example showing the averages obtained for six specimens examined is given in Table 4.

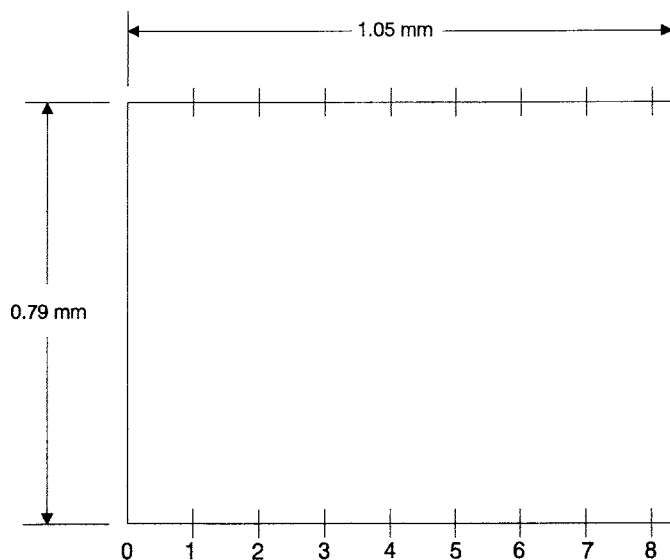
12.3.2 Oversize inclusions with widths or diameters greater than the limiting values shown on Plate I-r (and Table 2) shall be recorded separately.

<sup>11</sup> This method is similar to the Jernkontoret Method, Uppsala, Sweden (1936).



NOTE 1—d = disconnected, vd = very disconnected, and g = grouped.  
 NOTE 2—0.51 mm = 0.02 in.

FIG. 8 Designation of Length and Weight of Inclusions (4 Units Long)



NOTE 1—One unit equals 0.127 mm (0.005 in.) on the specimen surface. Dimensions equal actual distance on the specimen surface and will yield a field area of 0.83 mm<sup>2</sup>.

FIG. 9 Suggested Reticle or Overlay Grid for Method C

12.3.3 If desired, the predominant chemical type of inclusions may be determined and recorded as sulfide, silicate, or oxide. If the charts are used to rate carbides or nitrides, chemical composition information may also be determined and reported.

12.4 *Image Analysis Introduction*—The inclusions on the surface of a properly prepared as-polished metallographic specimen are viewed with a high-quality, metallurgical microscope. The bright-field image is picked up by a suitable television camera and transferred to the image analyzer screen. Image analysis software is then used to evaluate the inclusion content of the material based on microscopic Methods A and D.

12.5 *Image Analysis Procedure:*

12.5.1 Place the specimen on the microscope stage so that the specimen surface is perpendicular to the optical axis. With an inverted-type microscope, simply place the specimen face-

E45/E1122 Ratings  
 Type A (thin or heavy)

$$\text{Log(Sev.)} = 0.561593\text{Log(A)} - 1.18137$$

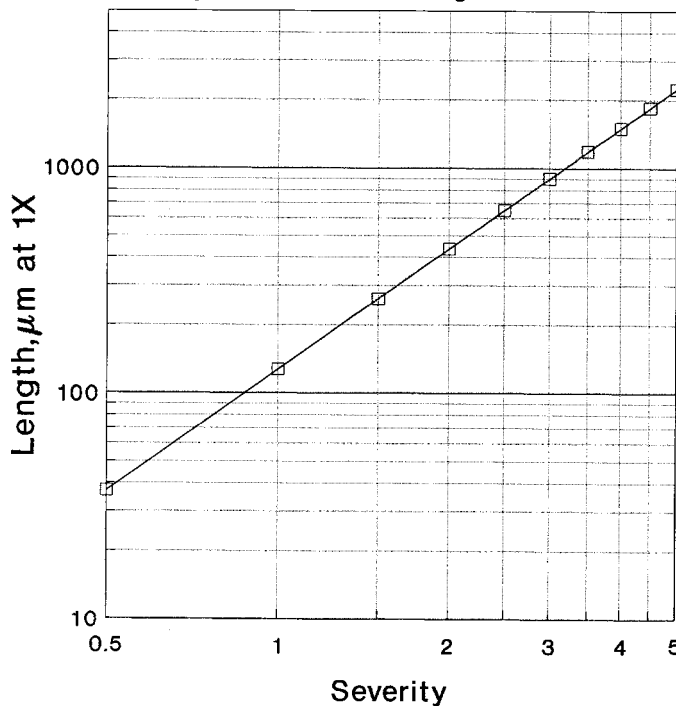


FIG. 10 Relationship between Severity Rating and the Minimum Total Sulfide Length for Plate I-r and Table 1

down on the stage plate and hold in place with the stage clamps. With an upright-type microscope, place the sample on a slide and level the surface using clay or plasticene and a hand-leveling press. Certain upright microscopes can be equipped with an autoleveling stage for mounted specimens. If the sample must be leveled using clay, the tissue paper placed between the specimen surface and the leveling press ram may adhere to the surface and present artifacts for measurement. In

# E45/E1122 Ratings Type B (thin or heavy)

$$\text{Log(Sev.)} = 0.463336\text{Log(B)} - 0.8735$$

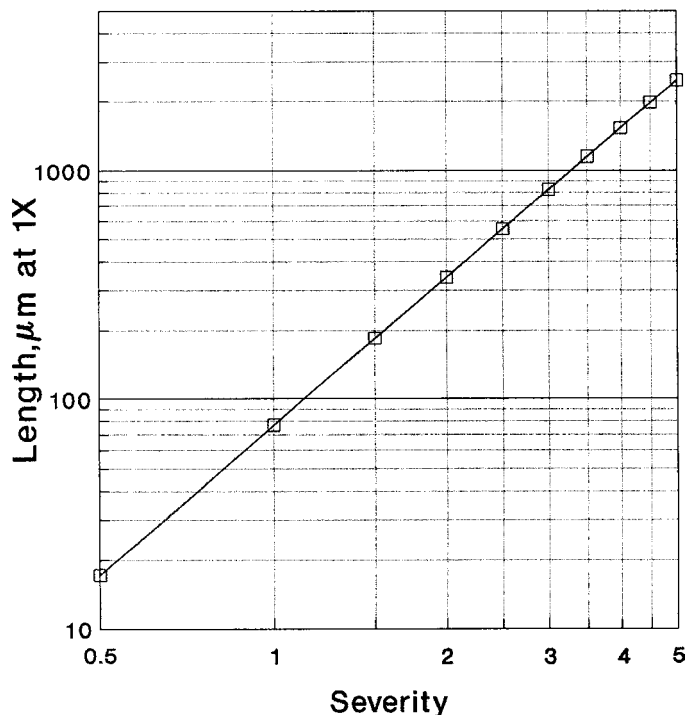


FIG. 11 Relationship between Severity Rating and the Minimum Total B-Type Stringer Length for Plate I-r and Table 1

# E45/E1122 Ratings Type C (thin or heavy)

$$\text{Log(Sev.)} = 0.479731\text{Log(C)} - 0.90105$$

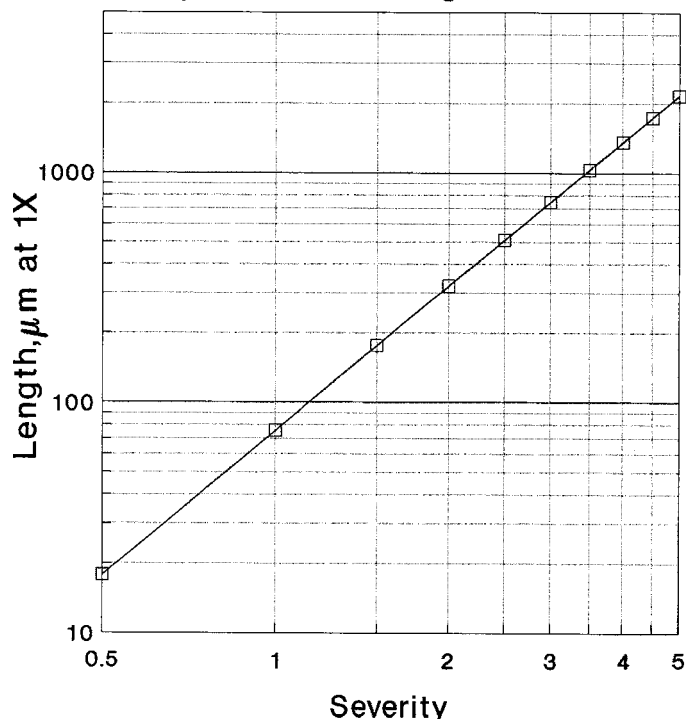


FIG. 12 Relationship between Severity Rating and the Minimum Total C-Type Stringer Length for Plate I-r and Table 1

some cases, adherent tissue can be blown off the specimen surface. An alternative procedure to avoid this problem is to place an aluminum or stainless steel ring form, which has been flattened slightly in a vise to an oval shape, between the sample and the ram. If the specimen was mounted, the ring form will rest only on the surface of the mounting material. If the specimen is unmounted but with a surface area substantially greater than the 160-mm<sup>2</sup> area required for the measurement, the ring form can rest on the outer edges of the specimen for flattening and thus avoid contact with the measurement area. Align the specimen on the stage so that the inclusions are aligned parallel to the x-direction of the stage movement, that is, horizontal on the monitor screen. Alternatively, if programming is facilitated, align the inclusions parallel to the y-direction of the stage movement, that is, the longitudinal direction is vertical on the monitor screen.

12.5.2 Check the microscope light source for correct alignment and adjust the illumination to the level required by the television video camera.

12.5.3 The inclusions can be examined and discriminated by type using magnifications other than 100× and field areas other than 0.50 mm<sup>2</sup> as long as the severity measurements are based upon the required 0.50-mm<sup>2</sup> field area, if the image

TABLE 3 Worst-Field Inclusion Ratings (Method A) Severity Levels<sup>A</sup>

Specimen	Type A		Type B		Type C		Type D	
	Thin	Heavy	Thin	Heavy	Thin	Heavy	Thin	Heavy
1	2	1	2	1	1	0	2	1
2	3	1	2	1	0	1	2	2
3	2	1	2	1	0	0	2	2
4	2	1	2	1	1	0	2	1
5	2	1	2	1	0	1	2	1
6	3	1	2	1	0	0	2	1
Average	2.3	1.0	2.0	1.0	0.3	0.3	2.0	1.3

<sup>A</sup> See 12.3.1.

Oversized inclusions—Type D, width; 17 micrometers.

analyzer is capable of such a procedure.<sup>12</sup> If the system cannot work in this manner, that is, if the inclusions in each field must be discriminated by type, measured, and a severity level assigned on a field-by-field basis, then the magnification must be chosen so that the field area is as close to 0.50 mm<sup>2</sup> as

<sup>12</sup> Forget, C., "Improved Method for E1122 Image Analysis Nonmetallic Inclusion Ratings," *MiCon 90: Advances in Video Technology for Microstructural Control*, ASTM STP 1094, American Society for Testing and Materials, Philadelphia, 1991, pp. 135–150.

**TABLE 4 Example of Inclusion Rating (Method D)**

Severity Level Number		Number of Fields in Each Specimen Specimen Number						Average of Six Specimens	
		1	2	3	4	5	6	Thin	Heavy
<b>Type A</b>									
0.5	Thin	65	60	50	65	37	56	55.5	9.8
	Heavy	9	8	12	6	16	8		
1.0	Thin	19	15	31	8	12	10	15.8	2.5
	Heavy	4	3	4	1	2	1		
1.5	Thin	1	3	2	0	1	0	1.2	0
	Heavy	0	0	0	0	0	0		
2.0	Thin	1	0	0	0	0	0	0.2	0
	Heavy	0	0	0	0	0	0		
2.5	Thin	0	0	0	0	0	0	0	0
	Heavy	0	0	0	0	0	0		
<b>Type B</b>									
0.5	Thin	13	8	7	6	11	10	9.2	0.3
	Heavy	0	0	0	1	1	0		
1.0	Thin	13	14	10	6	12	12	11.2	0.5
	Heavy	0	0	0	0	2	1		
1.5	Thin	1	6	6	3	3	2	3.5	0
	Heavy	0	0	0	0	0	0		
2.0	Thin	0	2	1	0	1	1	0.8	0
	Heavy	0	0	0	0	0	0		
2.5	Thin	0	1	0	0	1	0	0.3	0.2
	Heavy	0	1	0	0	0	0		
<b>Type C</b>									
0.5	Thin	0	0	0	0	1	0	0.2	0
	Heavy	0	0	0	0	0	0		
1.0	Thin	0	0	0	0	0	0	0	0
	Heavy	0	0	0	0	0	0		
1.5	Thin	0	0	0	0	0	0	0	0
	Heavy	0	0	0	0	0	0		
2.0	Thin	0	0	0	0	0	0	0	0
	Heavy	0	0	0	0	0	0		
2.5	Thin	0	0	0	0	0	0	0	0.2
	Heavy	0	0	0	0	0	1		
<b>Type D</b>									
0.5	Thin	35	33	28	32	47	29	34.0	7.0
	Heavy	9	4	5	6	9	9		
1.0	Thin	13	10	20	9	12	41	17.5	1.8
	Heavy	0	2	2	1	2	4		
1.5	Thin	0	0	4	0	0	6	1.7	0
	Heavy	0	0	0	0	0	0		
2.0	Thin	0	0	0	0	0	0	0	0
	Heavy	0	0	0	0	0	0		
2.5	Thin	0	0	0	0	0	0	0	0
	Heavy	0	0	0	0	0	0		
Max D Size		0.0305 mm (0.0012 in.)		0.0254 mm (0.001 in.)		0.0254 mm (0.001 in.)			

Oversized inclusions—Type D, width; 17 micrometers.

**TABLE 5 SAM Rating (Method E)**

No. of Observed Fields	B-Type rating <sup>A,B</sup>		D-Type Rating <sup>A,C</sup>		Units
	"B" Thin	No. of Observed Fields	"B" Heavy	No. of Observed Fields	
not recorded	0.5	not recorded	0.5	5	(1)
not recorded	1.0	2	1.0	2	(2)
3	1.5	1	1.5	1	(3)
1	2.0	0	2.0	0	(4)
0	2.5	0	2.5	0	(5)

<sup>A</sup> Total area observed = 1.5 in.<sup>2</sup>

<sup>B</sup> SAM rating = (3 × 1.5) + (1 × 2) + (2 × 1) + (1 × 1.5) = 10 ÷ 1.5 = 7.

<sup>C</sup> SAM rating = (5 × 1) + (2 × 2) + (1 × 3) = 12 ÷ 1.5 = 8.

possible. A deviation of less than ±0.05 mm<sup>2</sup> from the required 0.50-mm<sup>2</sup> area will not significantly impair measurement

results. The magnification chosen should produce a maximum calibration factor of 1.3 microns at 100×.

12.5.4 Select the gray-level threshold settings to permit independent detection of sulfides and oxides (see 10.2.2).

12.5.5 When detecting sulfides, a false image (called the *halo effect*) may be detected around the periphery of oxides in the same field. This problem can be corrected by the use of an auto-delineation feature or by application of appropriate algorithms to the binary image. Choice of the most satisfactory approach depends upon the image analysis system used.

12.5.6 Set the stage controls to move the specimen in a square or rectangular pattern with contiguous field alignment so that a minimum of 160 mm<sup>2</sup> is examined and evaluated. Other measurement areas may be used based on producer-purchaser agreements.



**TABLE 6 Regression Equations for Severity Rating Calculations (Based on the Four Alternate Ways of Expressing A, B, or C Lengths or Two Ways to Express D Counts in Table 2)**

1. Length in in. at 100× or count per field	
A	$\text{Log}(\text{Sev.}) = [0.560522\text{Log}(A)] + 0.168870$
B	$\text{Log}(\text{Sev.}) = [0.462631\text{Log}(B)] + 0.241092$
C	$\text{Log}(\text{Sev.}) = [0.480736\text{Log}(C)] + 0.252106$
D	$\text{Log}(\text{Sev.}) = [0.5\text{Log}(D)] - 0.30102$
2. Length in mm at 100× or count per field	
A	$\text{Log}(\text{Sev.}) = [0.561739\text{Log}(A)] - 0.62003$
B	$\text{Log}(\text{Sev.}) = [0.463336\text{Log}(B)] - 0.41017$
C	$\text{Log}(\text{Sev.}) = [0.479731\text{Log}(C)] - 0.42132$
D	$\text{Log}(\text{Sev.}) = [0.5\text{Log}(D)] - 0.30102$
3. Length in μm at 1× or count per field	
A	$\text{Log}(\text{Sev.}) = [0.561739\text{Log}(A)] - 1.18177$
B	$\text{Log}(\text{Sev.}) = [0.463336\text{Log}(B)] - 0.8735$
C	$\text{Log}(\text{Sev.}) = [0.479731\text{Log}(C)] - 0.90105$
D	$\text{Log}(\text{Sev.}) = [0.5\text{Log}(D)] - 0.30102$
4. Length per unit area (mm/mm <sup>2</sup> ) or count per unit area (no./mm <sup>2</sup> )	
A	$\text{Log}(\text{Sev.}) = [0.561739\text{Log}(A)] - 0.33434$
B	$\text{Log}(\text{Sev.}) = [0.463336\text{Log}(B)] - 0.377021$
C	$\text{Log}(\text{Sev.}) = [0.479731\text{Log}(C)] - 0.393723$
D	$\text{Log}(\text{Sev.}) = [0.5\text{Log}(D)] - 0.45154$

NOTE 1—Choose the equations to calculate the inclusion severity (both thin and heavy series) based on the nature of the measurement used; all approaches give the same severity values.

NOTE 2—Round off the severity number downward to the nearest half-severity level (or, if desired, to the nearest one-quarter or one-tenth value). For D-type inclusions, because we have only whole integer counts, and 0.5 is the severity for one inclusion in a field (a field has an area of 0.5 mm<sup>2</sup>), there cannot be a D severity of 0.25 or any one-tenth value below 0.5, except for 0 if there are no ratable Ds present.

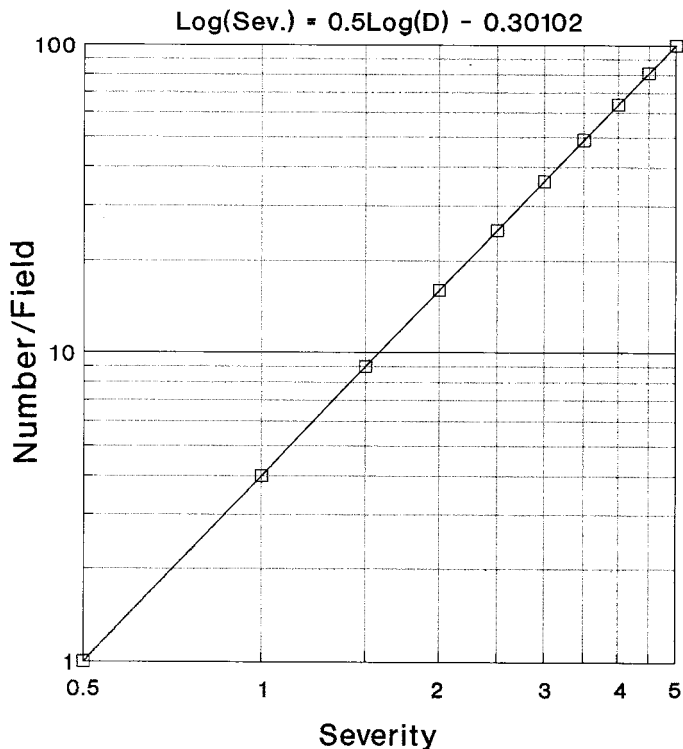
NOTE 3—To determine the severity value using the above equations, take the Log (base 10) of the measured value, multiply by the indicated value, subtract or add the indicated value, then take the antilog and round downward as described above.

12.5.7 Use a previously written computer program to separate the inclusion images by type and thickness, then calculate severities by length or number based on the rules listed in Section 12. The program should also store results, control stage movements (if an automated stage is used), and generate the test report.

12.5.8 If the width of an A inclusion, or a B or C stringer, varies and becomes less than 2 μm over part of its length, detect as much of it as possible and calculate the severity based on the detected length. For specimens from wrought products with high degrees of reduction, where the majority of the inclusions are < 2 μm thick, based on producer-purchaser agreement, the minimum thickness of the thin series can be set at a lower value, such as 0.5 μm, or the lower limit can be dropped. Detection of these thinner inclusions will require use of a higher magnification with a resultant field size less than 0.50 mm<sup>2</sup>; hence, field data must be combined, as described in 12.5.3, to obtain valid ratings.

12.5.9 An array is established in the computer memory to tabulate the number of fields that were rated according to the Thin and Heavy limits of the four inclusion types for eleven possible severities from 0 to 5 in half-level increments. After each field is rated and the severities are computed, the appropriate array locations are incremented to store the results.

## E45/E1122 Ratings Type D (thin or heavy)



**FIG. 13 Relationship between Severity Rating and the Minimum Number of Globular D-Type Inclusions for Plate I-r and Table 1**

12.5.10 The use of randomly selected, contiguously aligned fields may not produce true worst field (Method A) ratings. Valid worst field ratings require advanced image analysis technology, for example, use of a 0.50-mm<sup>2</sup> mask that can be moved anywhere within the 160-mm<sup>2</sup> test area using an algorithm that controls the mask movement by maximizing the severity values.

12.5.11 For quantitative inclusion descriptions, blank fields (that is, those that contain no visible inclusions of a particular type and width) may be differentiated from non-ratable fields (that is, fields with inclusions ≤ 2 μm in width, or with inclusion lengths or stringer lengths below the minimum limit for 0.5 severity).

12.5.12 The program should incorporate procedures to deal with fields that contain artifacts, either from polishing or cleaning, or from dust settling on the specimen, and so forth. The alignment of Type A, B, and C inclusions in wrought specimens generally will not deviate by more than ±20° from the longitudinal direction. Depending on the system and the nature of the artifact, it may be possible to develop an algorithm that will recognize such artifacts and remove them from the binary image. By restricting the orientation of detected features within this limit, certain artifacts (for example, deep scratches not removed during polishing) can be recognized and deleted from the binary image, if their orientation is greater than this limit. If this cannot be done, the field should be rejectable, that is, no test results from the field should

be stored. In such a case, another field should be analyzed to replace the rejected field, if this is possible. If a rejected field cannot be replaced in the same run, it may be possible to evaluate and rate the additional fields required in a subsequent run (do not rate fields already rated). Good preparation practices will minimize the need to reject fields with artifacts. In no case should the test results for a measurement area less than 160 mm<sup>2</sup> be mathematically extrapolated or converted (for example, because of rejected fields) in an effort to produce data for a 160-mm<sup>2</sup> area.

#### 12.6 Image Analysis Expression of Results:

12.6.1 The number of fields of each inclusion type (A, B, C, and D) and thickness (thin and thick) are reported for each severity from 0 to 5 in whole or half-severity level increments. For steels with very low inclusion contents, severities may be computed to one-quarter or one-tenth severity level increments. Note that for D-type inclusions, because one inclusion per field is a severity of 0.5, by definition, there can be no D-severity levels between 0 and 0.5.

12.6.2 If desired, based on producer-purchaser agreements, modifications of the reported data may be made, for example, reports for only certain inclusion types, thicknesses, or severity values. Other modifications may include only worst-field severity ratings or the number of fields at the worst-field severity ratings.

12.6.3 If desired by producer-purchaser agreement, an index may be calculated to describe the inclusion content.

12.6.4 To produce average results for more than one specimen per lot, the average number of fields for each severity rating, inclusion type, and thickness may be calculated (see Table 4).

12.6.5 Data for inclusions or stringers that are oversized in either length or width, or both, should be reported separately. Report the inclusion type, measured width, and length (for Types A, B, and C).

12.6.6 Fields with zero severity levels may be further classified, if desired, as either blank (no inclusions of a particular type and width category are present) or non-ratable (inclusions are present but their length is below the 0.5 severity limit or their width is < 2 μm), or their diameter is < 3 μm.

12.6.7 Information pertaining to the composition of the inclusions (Types A to D) may be provided if desired. For rare earth- or calcium-treated steels, or other steels with nontraditional deoxidation approaches, the chemical composition of the inclusions, in general terms, must be reported with each rating. Microanalytical techniques may be required to obtain such information if the operator is not able to identify the inclusions by light optical examination.

12.6.8 Supplementary stereological data determined during analysis may be included in the test report as desired. Standardization of such test data is not governed by this practice (see Practice E 1245).

### 13. Method B (Length)

13.1 *Introduction*—This test method requires a survey of a 160 mm<sup>2</sup> polished surface area of the specimen at 100×. Any inclusion whose length is 0.127 mm or longer is to be measured and individually tallied.

#### 13.2 Procedure:

13.2.1 This method utilizes a pattern of parallel lines whose spacing is such that the distance between lines is equivalent to 0.127 mm (0.005 in.) on the specimen surface when viewed at 100×. This distance shall be referred to as one unit. The pattern may be drawn on (or taped to) a viewing screen, in which case the physical distance between lines would be 12.7 mm (0.5 in.) since the specimen is magnified 100 times. An alternate technique would be to have a reticle made that will superimpose the required pattern directly onto the image as seen through the eyepieces of the microscope. Fig. 7 shows a recommended measurement grid for use with Method B. Note that the parallel lines are contained in a mask to aid in the indexing of fields.

13.2.2 To begin, outline the required test area on the specimen surface using either an indelible marker or a carbide-tipped scribe. Place the specimen on the microscope and start the examination with a field in one of the corners of the marked test area. Measure and record all inclusions in this field that are one unit long or longer. Inclusions separated by a distance greater than one unit shall be classified as two inclusions and not be considered as one stringer. The length of an inclusion shall be rounded down to the next whole unit and only whole units will be recorded. For example, if an inclusion measures 2½ units, it shall be recorded as a “2.” If an inclusion lies partially outside of the field, that is, part of its length lies in what will become Field Number 2, move the field slightly in order that its entire length may be measured.

13.2.3 Move the microscope stage to view an adjacent field. Repeat the measurement procedure. Take care that any inclusion measured in the previous field is not remeasured. Continue this process until the required polished surface area of the specimen has been scanned. A typical scan configuration is shown in Fig. 6.

#### 13.3 Expression of Results:

13.3.1 The determination for each specimen shall be divided into two parts, as follows:

13.3.1.1 The length of the longest inclusion shall be recorded first. It shall be supplemented to describe the inclusion width by a superscript T for thin or H for heavy. A thin inclusion is defined as being 10 μm (0.0004 in.) or less in width over more than 50 % of its entire length. Likewise, a heavy inclusion must have a thickness of 30 μm (0.012 in.) or more over the majority of its length. Inclusions greater than 10 μm but less than 30 μm wide shall not be represented by a T or H superscript. Superscripts *d* (disconnected), *vd* (very disconnected), and *g* (grouped) may also be used to describe the degree of connectivity or clustering as illustrated in Fig. 8.

13.3.1.2 The average length of all inclusions one unit and longer in length, but excluding the longest inclusion, shall be reported as a single number, followed by a superscript denoting the number of inclusions averaged.

13.3.2 When required, a series of comparison photomicrographs at 100×, which illustrates all other nonmetallic particles present, may be used to characterize the background appearance of the specimen. If used, these shall be labeled A, B, ... etc., in order of increasing inclusion population. The

specific photomicrographs used shall be mutually agreed upon between the interested parties.<sup>13</sup>

13.3.3 The following is an expression of results for a single specimen by this method: 6<sup>d</sup>-2<sup>3</sup>-A. This indicates that the longest inclusion observed was six units long, that three other inclusions were observed whose average length was two units, and that the background inclusions were similar in appearance to the A figure from a background photomicrographic series.

13.3.4 The results for all specimens from a lot shall be tabulated. If required, the predominant type of inclusions (sulfides, silicates, or oxides) shall be recorded.

#### 14. Method C (Oxides and Silicates)<sup>14</sup>

14.1 *Introduction*—This method requires a survey of a 160 mm<sup>2</sup> polished surface area of the specimen at 100×. Each field on the specimen shall be examined for the presence of non-deformable alumina oxide and deformable silicate stringers and rated by comparison to Plate II. The longest stringer of each inclusion type (“O” for alumina oxides and “S” for silicates) shall be reported, per the designations of Plate II, for every specimen examined. Note that sulfides are not rated by this method.

##### 14.2 Procedure:

14.2.1 This method utilizes a rectangular mask that will present a field area of 0.83 mm<sup>2</sup> (0.001289 in.<sup>2</sup>) on the specimen surface. The rectangular mask shall have sides equal to 0.79 × 1.05 mm (0.03125 × 0.04125 in.) on the specimen surface (see Fig. 9).

14.2.2 Either of two techniques may be used to mask off a field of the required size. One method is to project the 100× image from the microscope to a viewing screen equipped with a rectangular mask having sides 79.0 × 105.0 mm. Another option is to have a reticle made for the microscope, which will superimpose the required rectangular mask directly onto the field of view.

14.2.3 To begin, outline the required test area on the specimen surface using either an indelible marker or a carbide-tipped scribe. Place the specimen on the microscope and start the examination with a field in one of the corners of the marked test area. The longer side of the rectangular mask shall be parallel to the rolling direction. Compare this field with the images on Plate II and record the number of the frame that most resembles the oxide or silicate stringers, or both, present. It is important to note that if an inclusion’s size falls between two of the numbered frames on Plate II, it shall be rounded down to the lower whole number. Also, stringered inclusions shall be classified as two distinct inclusions when they are separated by at least 40 μm (0.0016 in.) on the specimen surface or offset by more than 15 μm.

14.2.4 Move the microscope stage to reveal an adjacent field and repeat the comparison procedure with Plate II. Continue this process until the required polished surface area of the specimen has been scanned. A typical scan configuration is

shown in Fig. 6. It is permissible, and will be necessary at times, to adjust the microscope stage such that the entire stringer may be viewed within the mask. The rater’s objective is to find the longest oxide and silicate stringers in the specimen. Therefore, in practice, the rater is actually scanning the specimen and stopping only when a potential *longest stringer* is in view.

##### 14.3 Expression of Results:

14.3.1 The maximum length of each type of inclusion, usually a series of individual particles in a stringer, is generally used to evaluate a specimen. The silicate photomicrographs are used for deformable-oxide inclusions, and the oxide photomicrographs for all non-deformable oxide, or hard-type, inclusions. For example, a specimen may be classified 0-5 (oxide) and S-4 (silicate) to indicate that the longest non-deformable oxide inclusion seen was comparable to Oxide Photomicrograph 5, and the longest deformable-oxide inclusion seen was comparable to Silicate Photomicrograph 4.

14.3.2 Modifications, such as suffix numerals, may be used to indicate the number of long inclusions noted or the exact length of a particular inclusion when it is over the maximum length indicated by the photomicrographs.

#### 15. Method D (Low Inclusion Content)

15.1 *Manual Introduction*—This test method is intended for application to steel with low inclusion contents, as the severity levels shall be reported in ½ increments. It requires a survey of a 160 mm<sup>2</sup> polished surface area of the specimen at 100×. Every square 0.50 mm<sup>2</sup> (0.000779 in.<sup>2</sup>) field on the polished surface is examined for inclusion Types A, B, C, and D and compared with the square fields depicted on Plate I-r. The result of this *every field* comparison is recorded and tallied.

##### 15.2 Manual Procedure:

15.2.1 A field shall be defined as a square with 0.71 mm (0.02791 in.) long sides. See Fig. 5. This will result in a field area of 0.50 mm<sup>2</sup> on the specimen. Either of two techniques may be employed to achieve the square field. One method is to project the 100× microscope image onto a viewing screen that has a square mask (with 71.0 mm sides) drawn on it. Another option is to have a reticle made for the microscope, which will superimpose the required square mask directly onto the field of view (see Fig. 5).

15.2.2 To begin, outline the required test area on the specimen surface using either an indelible marker or a carbide-tipped scribe. Place the specimen on the microscope and start the examination with a field in one of the corners of the specimen. Compare this field with the images on Plate I-r. Classify the inclusion content of the field based on the rules listed in Section 12 concerning Type, and thickness of inclusions present. Record the Severity Level Number for each inclusion type (A, B, C, and D) that most resembles the field under observation. Do this for both the Thin and Heavy series. It is important to note that if a field of inclusions falls between two severity levels it is rounded down to the nearest severity level. Therefore, a field that contains fewer inclusions, or less inclusion length, than severity level ½ is recorded as a 0.

15.2.3 Move the microscope stage to reveal an adjacent field and repeat the comparison procedure with Plate I-r. The fields

<sup>13</sup> A series of four photomicrographs of low carbon steel, previously printed as part of Practice E 45, may be obtained from ASTM Headquarters. Order ADJE004501.

<sup>14</sup> This method is similar to SAE Recommended Practice J422.



shall be contiguous and only inclusions or portions of inclusions that fall within the square mask shall be considered. It is not acceptable practice to move an inclusion into the square field simply to prevent its intersection with the sides of the mask. Continue this process until the required polished surface area of the specimen has been rated. A typical scan configuration is shown in Fig. 6.

15.2.4 In contrast with Method A, this is an *every field* rating method. The arbitrary field boundaries created by stepwise movement through the sample should not be altered or adjusted. Record the severity level shown on the side of Plate I-r selected for each inclusion type (A, B, C, or D) that appears most like the field under observation for both the thin and heavy series. Report each field containing inclusions equivalent to or greater than the 0.5 severity level. See Table 1 for values of Severity Level Numbers > 3.0.

### 15.3 Manual Expression of Results:

15.3.1 The number of fields of each inclusion type (A, B, C, and D of Plate I-r) found for both the thin and heavy series shall be recorded for each specimen in terms of the Severity Level Numbers 0.5 to 3.0.

15.3.2 If any field or inclusion is found that exceeds the limits of severity level 3.0 (displayed on Plate I-r and listed in Table 1), it shall be recorded separately. Likewise oversize inclusions with widths or diameters greater than the limiting values shown on Plate I-r (and Table 2) shall be recorded separately.

15.3.3 To average the results of more than one specimen, the average of the number of fields found for each inclusion rating number and type in the various specimens examined within a lot may be calculated as illustrated in Table 4.

15.3.4 If desired, the predominant chemical type of inclusions may be determined (using, for example, energy dispersive x-ray spectroscopy on a scanning electron microscope).

15.4 *Image Analysis Introduction*—The inclusions on the surface of a properly prepared as-polished metallographic specimen are viewed with a high-quality, metallurgical microscope. The bright-field image is picked up by a suitable television camera and transferred to the image analyzer screen. Image analysis software is then used to evaluate the inclusion content of the material.

### 15.5 Image Analysis Procedure:

15.5.1 Place the specimen on the microscope stage so that the specimen surface is perpendicular to the optical axis. With an inverted-type microscope, simply place the specimen face-down on the stage plate and hold in place with the stage clamps. With an upright-type microscope, place the sample on a slide and level the surface using clay or plasticene and a hand-leveling press. Certain upright microscopes can be equipped with an autoleveling stage for mounted specimens. If the sample must be leveled using clay, the tissue paper placed between the specimen surface and the leveling press ram may adhere to the surface and present artifacts for measurement. In some cases, adherent tissue can be blown off the specimen surface. An alternative procedure to avoid this problem is to place an aluminum or stainless steel ring form, which has been flattened slightly in a vise to an oval shape, between the sample and the ram. If the specimen was mounted, the ring form will

rest only on the surface of the mounting material. If the specimen is unmounted but with a surface area substantially greater than the 160-mm<sup>2</sup> area required for the measurement, the ring form can rest on the outer edges of the specimen for flattening and thus avoid contact with the measurement area. Align the specimen on the stage so that the inclusions are aligned parallel to the x-direction of the stage movement, that is, horizontal on the monitor screen. Alternatively, if programming is facilitated, align the inclusions parallel to the y-direction of the stage movement, that is, the longitudinal direction is vertical on the monitor screen.

15.5.2 Check the microscope light source for correct alignment and adjust the illumination to the level required by the television video camera.

15.5.3 The inclusions can be examined and discriminated by type using magnifications other than 100× and field areas other than 0.50 mm<sup>2</sup> as long as the severity measurements are based upon the required 0.50-mm<sup>2</sup> field area, if the image analyzer is capable of such a procedure.<sup>15</sup> If the system cannot work in this manner, that is, if the inclusions in each field must be discriminated by type, measured, and a severity level assigned on a field-by-field basis, then the magnification must be chosen so that the field area is as close to 0.50 mm<sup>2</sup> as possible. A deviation of less than ±0.05 mm<sup>2</sup> from the required 0.50-mm<sup>2</sup> area will not significantly impair measurement results. The magnification chosen should produce a maximum calibration factor of 1.3 microns at 100×.

15.5.4 Select the gray-level threshold settings to permit independent detection of sulfides and oxides (see 10.2.2).

15.5.5 When detecting sulfides, a false image (called the halo effect) may be detected around the periphery of oxides in the same field. This problem can be corrected by the use of an auto-delineation feature or by application of appropriate algorithms to the binary image. Choice of the most satisfactory approach depends upon the image analysis system used.

15.5.6 Set the stage controls to move the specimen in a square or rectangular pattern with contiguous field alignment so that a minimum area of 160 mm<sup>2</sup> is examined and evaluated. Other measurement areas may be used based on producer-purchaser agreements.

15.5.7 Use a previously written computer program to separate the inclusion images by type and thickness, then calculate severities based on length or number based on the rules listed in Section 12. The program should also store results, control stage movements (if an automated stage is used), and generate the test report.

15.5.8 If the width of an A inclusion, or a B or C stringer, varies and becomes less than 2 μm over part of its length, detect as much of it as possible and calculate the severity based on the detected length. For specimens from wrought products with high degrees of reduction, where the majority of the inclusions are < 2 μm thick, based on producer-purchaser agreement, the minimum thickness of the thin series can be set

<sup>15</sup> Forget, C., "Improved Method for E1122 Image Analysis Nonmetallic Inclusion Ratings," *MiCon 90: Advances in Video Technology for Microstructural Control*, ASTM STP 1094, American Society for Testing and Materials, Philadelphia, 1991, pp. 135–150.



at a lower value, such as 0.5  $\mu\text{m}$ , or the lower limit can be dropped. Detection of these thinner inclusions will require use of a higher magnification with a resultant field size less than 0.50  $\text{mm}^2$ ; hence, field data must be combined, as described in 15.5.3, to obtain valid ratings.

15.5.9 An array is established in the computer memory to tabulate the number of fields that were rated according to the Thin and Heavy limits of the four inclusion types for eleven possible severities from 0 to 5 in half-level increments. After each field is rated and the severities are computed, the appropriate array locations are incremented to store the results.

15.5.10 The use of randomly selected, contiguously aligned fields may not produce true worst field (Method A) ratings. Valid worst field ratings require advanced image analysis technology, for example, use of a 0.50- $\text{mm}^2$  mask that can be moved anywhere within the 160- $\text{mm}^2$  test area using an algorithm that controls the mask movement by maximizing the severity values.

15.5.11 For quantitative inclusion descriptions, blank fields (that is, those that contain no visible inclusions of a particular type and width) may be differentiated from non-ratable fields (that is, fields with inclusions  $\leq 2 \mu\text{m}$  in width, or with inclusion lengths or stringer lengths below the minimum limit for 0.5 severity).

15.5.12 The program should incorporate procedures to deal with fields that contain artifacts, either from polishing or cleaning, or from dust settling on the specimen, and so forth. The alignment of Type A, B, and C inclusions in wrought specimens generally will not deviate by more than  $\pm 20^\circ$  from the longitudinal direction. Depending on the system and the nature of the artifact, it may be possible to develop an algorithm that will recognize such artifacts and remove them from the binary image. By restricting the orientation of detected features within this limit, certain artifacts (for example, deep scratches not removed during polishing) can be recognized and deleted from the binary image, if their orientation is greater than this limit. If this cannot be done, the field should be rejectable, that is, no test results from the field should be stored. In such a case, another field should be analyzed to replace the rejected field, if this is possible. If a rejected field cannot be replaced in the same run, it may be possible to evaluate and rate the additional fields required in a subsequent run (do not rate fields already rated). Good preparation practices will minimize the need to reject fields with artifacts. In no case should the test results for a measurement area less than 160  $\text{mm}^2$  be mathematically extrapolated or converted (for example, because of rejected fields) in an effort to produce data for a 160- $\text{mm}^2$  area.

#### 15.6 Image Analysis Expression of Results:

15.6.1 The number of fields of each inclusion type (A, B, C, and D) and thickness (thin and thick) are reported for each severity from 0 to 5 in whole or half-severity level increments. For steels with very low inclusion contents, severities may be computed to one-quarter or one-tenth severity level increments. Note that for D-type inclusions, because one inclusion per field is a severity of 0.5, by definition, there can be no D-severity levels between 0 and 0.5.

15.6.2 If desired, based on producer-purchaser agreements, modifications of the reported data may be made, for example, reports for only certain inclusion types, thicknesses, or severity values. Other modifications may include only worst-field severity ratings or the number of fields at the worst-field severity ratings.

15.6.3 If desired by producer-purchaser agreement, an index may be calculated to describe the inclusion content.

15.6.4 To produce average results for more than one specimen per lot, the average number of fields for each severity rating, inclusion type, and thickness may be calculated (see Table 4).

15.6.5 Data for inclusions or stringers that are oversized in either length or width, or both, should be reported separately. Report the inclusion type, measured width, and length (for Types A, B, and C).

15.6.6 Fields with zero severity levels may be further classified, if desired, as either blank (no inclusions of a particular type and width category are present) or non-ratable (inclusions are present but their length is below the 0.5 severity limit or their width is  $< 2 \mu\text{m}$ ), or their diameter is  $< 3 \mu\text{m}$ .

15.6.7 Information pertaining to the composition of the inclusions (Types A to D) may be provided if desired. For rare earth- or calcium-treated steels, or other steels with nontraditional deoxidation approaches, the chemical composition of the inclusions, in general terms, must be reported with each rating. Microanalytical techniques may be required to obtain such information if the operator is not able to identify the inclusions by light optical examination.

15.6.8 Supplementary stereological data determined during analysis may be included in the test report as desired. Standardization of such test data is not governed by this practice (see Practice E 1245).

## 16. Method E (SAM Rating)

16.1 *Introduction*—This test method is used to rate the inclusion content of steels in a manner that reflects the severity and frequency of occurrence of the larger B- and D-Type inclusions. It will result in a survey of a 160  $\text{mm}^2$  polished surface of the specimen at 100 $\times$ .

### 16.2 Procedure:

16.2.1 A field shall be defined as a square with 0.71 mm (0.02791 in.) long sides. See Fig. 5. This will result in a field area of 0.50  $\text{mm}^2$  on the specimen. Either of two techniques may be employed to achieve the square field. One method is to project the 100 $\times$  microscope image onto a viewing screen that has a square mask (with 71.0 mm sides) drawn on it. Another option is to have a reticle made for the microscope, which will superimpose the required square mask directly onto the field of view.

16.2.2 To begin, outline the required test area on the specimen surface using either an indelible marker or a carbide-tipped scribe. Place the specimen on the microscope and start the examination with a field in one of the corners of the marked test area. Compare this field with the images on Plate I-r. Rate only the B and D type inclusions using the following criteria.

16.2.3 A rating of B-type inclusions is obtained by comparing each field of the specimen with the fields in Plate I-r (Table 1 may also be used). Record all B-Thin fields observed at

severity levels of 1.5 or higher and all B-Heavy fields observed at each severity level of 1.0 or higher. See [Table 2](#) for width and diameter parameters. Classify a field with size of inclusions intermediate between configurations in Plate I-r or [Table 1](#) as the lower inclusion rating. An inclusion whose width varies from Thin to Heavy along its length shall be placed in the category that best represents its whole.

16.2.4 Classify broken B-types as two distinct inclusions when they are separated by at least 40  $\mu\text{m}$  (0.0016 in.) or offset by more than 15  $\mu\text{m}$  on the specimen surface. If two or more B-types appear in one microscope field, their summed length determines the inclusion rating number.

16.2.5 When an A-type sulfide has formed a complex inclusion with either a B- or D-type oxide, the inclusion shall be rated as a B- or D-type provided its oxide volume is the predominant (>50 % by area) chemical type.

16.2.6 A rating of D-type inclusions is obtained by recording all D-Heavy fields with a rating of 0.5 or higher. See [Table 2](#) for width and diameter parameters. Fields of 0.5 severity are counted as one unit; fields of 1.0 severity as two units; fields of 1.5 severity as three units; and so on. The minimum inclusion numbers for D-type are printed on Plate I-r and listed in [Table 1](#).

16.2.7 Move the microscope stage to reveal an adjacent field and repeat the comparison procedure with Plate I-r. This method requires adjustment of the microscope stage in order to maximize the inclusion Severity Level Number. That is, the field of view is adjusted using the microscope stage controls such that inclusions are moved inside the square mask in order to determine the maximum severity of rateable B- and D-Types. Continue this process, being careful not to rate any inclusion more than once, until the required polished surface area of the specimen has been rated. A typical scan configuration is shown in [Fig. 6](#).

16.2.8 If any inclusions are present that are longer than the fields shown in Plate I-r, their lengths shall be recorded separately. If their widths or diameters are greater than the limiting values shown in Plate I-r and [Table 2](#), they shall be recorded separately. Note that an oversize B or D inclusion still contributes to the determination of a field's Severity Level Number. Therefore, if a B inclusion is oversized either in length or thickness, that portion that is within the field boundaries shall be included in the appropriate Thin or Heavy severity level measurement. Likewise, if an oversize D inclusion is encountered in a field, it also is included in the count that determines the D heavy rating.

### 16.3 Expression of Results:

16.3.1 Results are expressed in terms of two rating numbers reflecting B-type and D-heavy type inclusion contents.

16.3.2 The number of B-type fields recorded at each severity level times the severity level is summed (see [Table 5](#)) and normalized by dividing by the total rated area, in square inches, of all samples. The nearest whole number is recorded as the rating.

16.3.3 The number of D units is summed (see [Table 5](#)) and normalized by dividing by the total rated area, in square inches, of all samples. The nearest whole number is recorded as the rating.

16.3.4 All oversized B- and D-Type inclusions are reported along with their actual lengths or widths, or both.

## 17. Test Report

17.1 Pertinent information regarding the origin and identity of the test specimen should be reported along with the data requirements covered in the "Expression of Results" section of each test method.

17.2 Report, also, the following information:

17.2.1 Date of test,

17.2.2 Rater's name,

17.2.3 Plant location,

17.2.4 Heat number; and

17.2.5 Specimen identification code and any other unique data (such as a lot number) that can provide traceability within the seller's organization.

## 18. Precision and Bias

18.1 Studies of JK ratings made by different laboratories have shown that there is an inherent problem in inclusion identification, chiefly in discrimination between Type A (sulfides) and C (silicate) deformable oxide inclusions. Hence, the accuracy of JK ratings can be severely influenced by such problems. The accuracy of Method A, C, and D ratings is influenced by total inclusion contents. As the inclusion content increases, the accuracy of such ratings decreases.

18.2 For steels that are rated to 0.5 Severity Level Numbers on Plate I-r, worst field ratings are generally accurate within  $\pm 1$  severity number and may be within  $\pm 0.5$  severity at low inclusion content. In general, the accuracies of rating of Type B and D inclusions are better than for Type A and C inclusions. Also, the accuracy of the thin series is generally better than for the Heavy series, regardless of the inclusion type.

18.3 For steels that must be rated to whole Severity Level Numbers using Plate I-r, the accuracies are generally poorer, approaching  $\pm 2$  at the highest severity levels. The same trends apply here regarding A and C versus B and D Types and Thin versus Heavy. Greater inaccuracies will occur if inclusions are misidentified. The accuracy of inclusion field counts using Method D is not as good as for the worst field ratings. A good, accurate Method D rating requires considerable effort.

18.4 The accuracy of Method C ratings is significantly influenced by misidentification of S Type (deformable oxide) inclusions. When such problems are not encountered, steels with low inclusion contents will agree within  $\pm 1$  unit, while steels with high inclusion contents will agree within  $\pm 2$  units of severity. Method C, Plate II, is only used to rate oxides, never sulfides.

18.5 The precision of ratings made by the use of Plate I-r generally agrees with the chart severity increments used but may in certain cases be slightly higher. For very low inclusion content steels, automatic image analysis methods (as covered by Practices E 1122 and [E 1245](#)) are preferable where ratings below the minimum rating ( $1/2$ ) are possible. Note that microscopic Methods A and D stipulate minimum sizes for *rateable* inclusions; thus a field or a specimen may contain inclusions that are identifiable but not *rateable* because they are below the minimum size for a non-zero rating.

18.6 For the image analysis procedures, when the same specimen is reanalyzed immediately, starting over at the same location and re-measuring the same fields, reproducibility is extremely good. Worst-field ratings are usually identical, but may occasionally show a variation of one-half severity limit for one of the eight possible ratings (A to D, thin and thick). The number of fields at each severity level for each inclusion type and thickness generally varies by less than 5 %.

18.6.1 If a rated specimen is re-polished and rated again on a parallel plane by the same laboratory, the results will be reasonably reproducible. Worst-field ratings will usually vary by no more than one-half severity level for several of the inclusion types and thickness categories but larger variations are occasionally encountered due to the inherent variability of the inclusion content.

18.6.2 Interlaboratory test variability has not been evaluated but may be expected to be greater. This variability will be at a minimum if each laboratory controls specimen preparation according to the guidelines in Practice E 768.

18.6.3 Use of a manually operated stage, rather than an automated stage, may introduce bias into the field selection.

## 19. Keywords

19.1 alumina; automatic image analysis; complex inclusions; fracture test; globular inclusions; inclusions; inclusion rating; inclusion stringers; JK inclusion rating; light microscopy; macroetch test; magnetic-particle method; oxide; SAM rating; silicate; steel; step-down method; stringer; sulfide

*ASTM International takes no position respecting the validity of any patent rights asserted in connection with any item mentioned in this standard. Users of this standard are expressly advised that determination of the validity of any such patent rights, and the risk of infringement of such rights, are entirely their own responsibility.*

*This standard is subject to revision at any time by the responsible technical committee and must be reviewed every five years and if not revised, either reapproved or withdrawn. Your comments are invited either for revision of this standard or for additional standards and should be addressed to ASTM International Headquarters. Your comments will receive careful consideration at a meeting of the responsible technical committee, which you may attend. If you feel that your comments have not received a fair hearing you should make your views known to the ASTM Committee on Standards, at the address shown below.*

*This standard is copyrighted by ASTM International, 100 Barr Harbor Drive, PO Box C700, West Conshohocken, PA 19428-2959, United States. Individual reprints (single or multiple copies) of this standard may be obtained by contacting ASTM at the above address or at 610-832-9585 (phone), 610-832-9555 (fax), or service@astm.org (e-mail); or through the ASTM website (www.astm.org).*